

6.3. - WARRANTY OBLIGATION:

Emaux warrants any of above items from workmanship and/or material(s).

Should a defect become evident during the term of warranty, Emaux will, at its option, repair or replace such item or part at its own cost and expense. Customer will need to follow the warranty claim procedures from Emaux in order to obtain the benefit on this warranty.

Emaux is not, however, responsible under this warranty for any cost of shipping or transportation of the equipment or parts thereof “to” or “from” our technical operations.

Emaux is not able to liable for any loss of time, inconvenience, incidental expenses such as labor cost, phone calls, legal cost or material cost incurred in connection with the replacement or removal of the equipment, or any other consequential or incidental damage on persons or assets. Emaux will be not responsible for any business profit loss operation stop due to the non-conformity product equipment. No indemnity or damages can be claimed on any account whatever.

6.4. - WARRANTY OR REPRESENTATIONS BY OTHERS:

No dealer or other person has authority to make any warranty or representation concerning Emaux or its products.

Accordingly, Emaux is not responsible for any such warranty or representation.



15L. STANDARD SKIMMER **WITH SQUARE COVER**

MANUAL INSTALLATION

MODELS:

EM0130-SC
EM0130-SV
EM0140-SC
EM0140-SV

Models: EM0130-SC; EM0130-SV; EM0140-SC; EM0140-SV
 Codes: 88152412; 88152512; 88152612; 88152712

IMPORTANT: This instruction manual includes essential information on the safety measures to be implemented for installation and start-up. Therefore, the installer as well as the user must read the instructions before starting installation and start-up. Keep this manual for future reference.

1.- 15L. STANDARD SKIMMER:

Skimmers are used to eliminate the dirtiness suspended on the surface of the pool. For this reason, when building the pool, it is recommended to install the skimmers so that their mouths facing the prevailing winds.

2.- MODELS AVAILABLE:

| | | |
|--------------------|---------------|------------|
| | Concrete pool | Vinyl pool |
| Standard Skimmer | EM0130-SC | EM0130-SV |
| Wide Mouth Skimmer | EM0140-SC | EM0140-SV |



EM0130-SC



EM0130-SV



EM0140-SC



EM0140-SV

2.- INSTALLATION:

Emaux Water Technology Co., Ltd. recommends to install 1 skimmer per 25 m² of pool water surface are, knowing that the skimmer maximum flow rate should not exceed 5 m³/h.

Normally, in residential pools, the skimmers are installed along the width of the pool, and in the deepest site. For pools when more than 3 skimmers are required, they can be installed along the length of the pool. However, in both cases, skimmer must be positions always in the opposite site of the wall return inlets.

The installation must proceed following the fig.1 and fig.2, depending on the type of skimmer chosen: for Concrete pools or Vinyl or Liner pools.

6. - WARRANTY POLICY:

Emaux manufactures its products with the highest standard of workmanship, using the best materials available through state of the art process. Emaux proudly warrants its products as follows:

| EXTENDED WARRANTY FOR SPECIFIC PRODUCTS (OFFERED FROM DATE OF INVOICE). | |
|--|------------------------------------|
| Product | Warranty Period |
| Filters & Filter Systems | 2 years |
| Pumps | 1 year |
| Underwater Lights | 1 year (bulbs 90 days) |
| Ladders | 1 year |
| Control devices | 1 year |
| Heat Pumps & Heat Exchangers | 1 year |
| Salt Chlorinators & UV Systems | 1 year (2 years for cell material) |
| Pool Fittings | 1 year |
| Cleaning Equipment & All others | 1 year |

6.1. - EXCEPTIONS THAT MAY RESULT IN DENIAL OF A WARRANTY CLAIM:

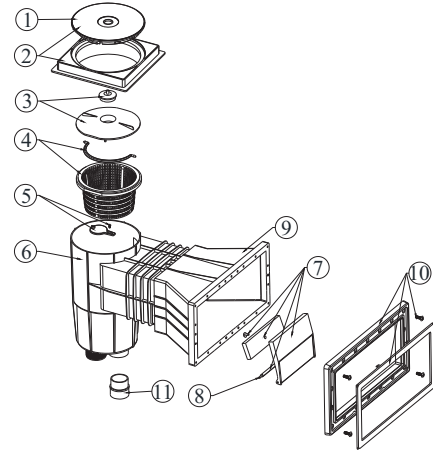
- 1.- Damage caused by careless handling, improper repackaging or shipping.
- 2.- Damage due to misapplication, misuse, abuse or failure to operate and install the equipment as specified in this manual.
- 3.- Damage caused by a misuse, abuse or failure to operate and install the equipment out of the scope of a professional level demanded in similar equipment or installation type.
- 4.- Damage due to unauthorized product modifications or failure to use Emaux original replacement parts.
- 5.- Damaged caused by negligence or failure to properly maintain products as specified in this manual.
- 6.- Damage caused by failure to maintain water chemistry in conformity with the standards of the swimming pool industry for any length of time.
- 7.- Damage caused by water freezing inside the product.
- 8.- Accident damage, fire or other circumstances outside the control of Emaux.
- 9.- Items had been repaired or altered in any way by any person that is not authorized by Emaux.
- 10.- Wear & tear parts.

6.2.- CLAIM PROCESS:

Summary of Emaux Claim Process in 3 steps:

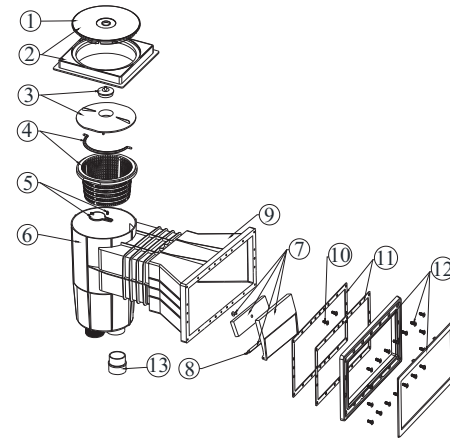
- a) Claim: Customer contacts Emaux salesperson and provides completed details of the claim which includes:
 - a. Information about the failed product such as the part number(s) and serial number(s).
 - b. Description of the complaint/failure.
 - c. Pictures
- b) Once the complaint is received, the product quality incident will then be reviewed by Emaux's Quality Control Department following the "Emaux Warranty Policy".
- c) Conclusion: After the investigation is completed, Emaux will inform the distributor accordingly.

| POS. | CODE | PRODUCT DESCRIPTION |
|------|----------|---------------------------|
| 1 | 01050158 | Skimmer Lid |
| 2 | 89150701 | Square Rim |
| 3 | 89150702 | Vacuum plate with Plug |
| 4 | 89150703 | Skimmer basket |
| 5 | 89150704 | Regulating plug |
| 6 | 01050167 | skimmer booy |
| 7 | 89150713 | Skimmer flap |
| 8 | 01181077 | Hinge flap |
| 9 | 01050171 | Extension throat |
| 10 | 89150706 | Skimmer frame for liner |
| 11 | 01170009 | 1.5" conversion Connector |

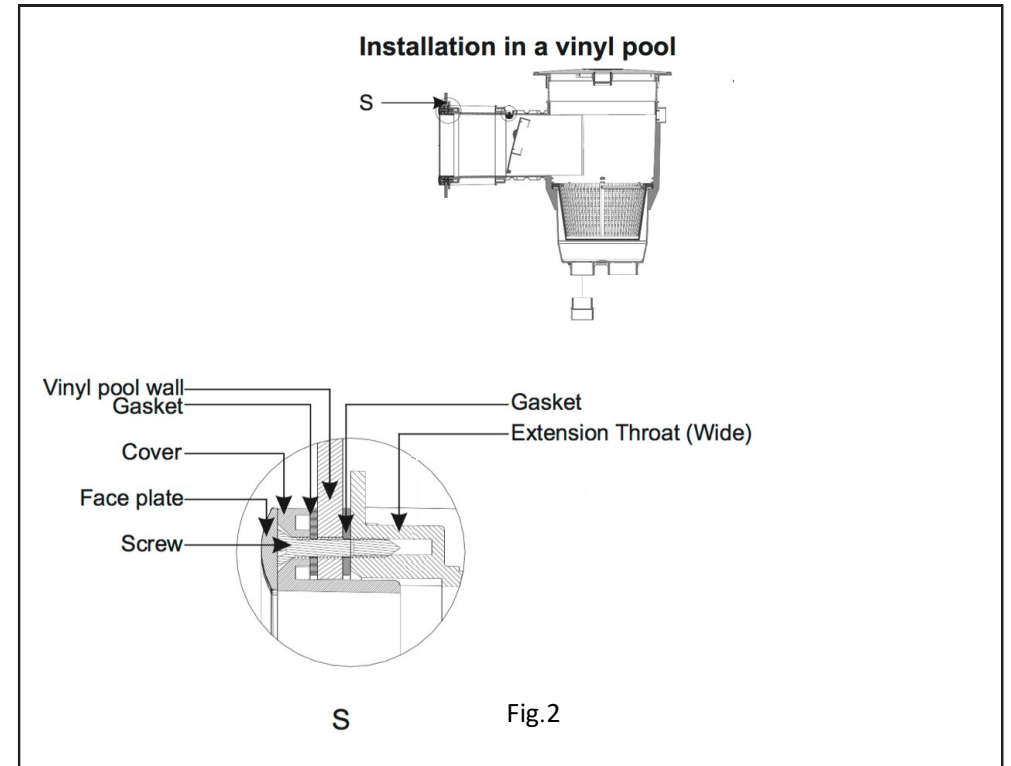
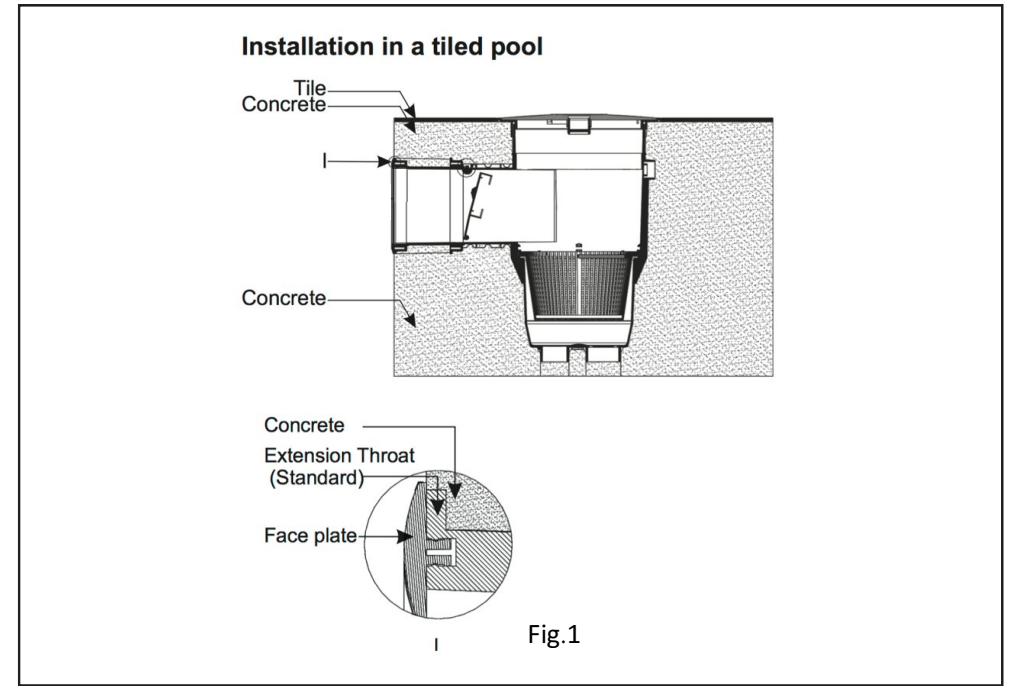


EM0140-SC

| POS. | CODE | PRODUCT DESCRIPTION |
|------|----------|----------------------------|
| 1 | 01050158 | Skimmer Lid |
| 2 | 89150701 | Square Rim |
| 3 | 89150702 | Vacuum plate with Plug |
| 4 | 89150703 | Skimmer basket |
| 5 | 89150704 | Regulating plug |
| 6 | 01050167 | Skimmer body |
| 7 | 89150713 | Skimmer flap |
| 8 | 01181077 | Hinge flap |
| 9 | 01050171 | Extension throat |
| 10 | 03012105 | Screws |
| 11 | 02021106 | Skimmer gaskets for Liner. |
| 12 | 89150707 | Skimmer frame |
| 13 | 01170009 | 1.5" conversion Connector |



EM0140-SV



Ensure that the pool water level is constant and $\frac{3}{4}$ parts of the skimmer is submerged in the water. This avoids air suction into the circuit that can damage the filtration pump.

The cover and the basket from the skimmer are assembled with a bayonet system, so do not pull brusquely upwards, but first turn until the two sides of the cover or basket match with the body, and then pull upwards.

3.- VACUUM SUCTION CONNECTION:

Skimmers can also be used for vacuum cleaning equipment thanks to the vacuum plate provided.

The vacuum plate is placed on the basket of the skimmer, and connect the vacuum hose of the pool cleaner with the hole of the vacuum plate (Fig. 3).

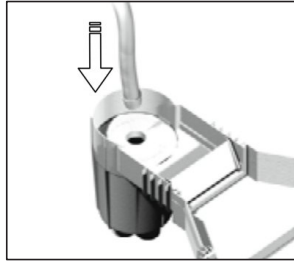


Fig.3

In order to obtain the maximum vacuum efficiency when using the pool cleaner connected to the skimmer, ensure that the main drain valve is close. If more skimmers are installed in the pool, they should be closed off using the flow plug provided.

4.- SAFETY WARNINGS:

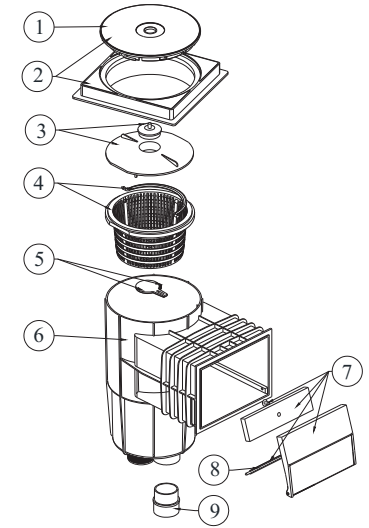
The skimmer should be installed by a specialist technician.

Do not place chlorine or bromide tablets in the skimmer basket.

It is recommended to use products specifically designed to work with ABS.

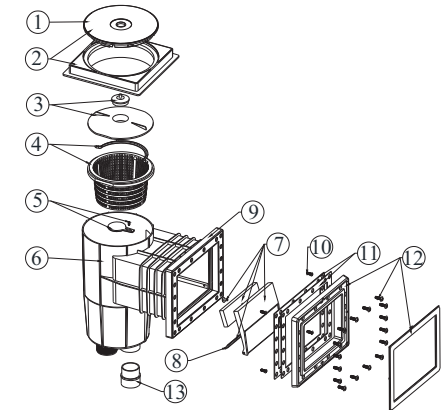
5.- SPARE PARTS LIST:

| POS. | CODE | PRODUCT DESCRIPTION |
|------|----------|---------------------------|
| 1 | 01050158 | Skimmer Lid |
| 2 | 89150701 | Square Rim |
| 3 | 89150702 | Vacuum plate with Plug |
| 4 | 89150703 | Skimmer basket |
| 5 | 89150704 | Regulating plug |
| 6 | 01050167 | Skimmer body |
| 7 | 89150713 | Skimmer flap |
| 8 | 01181077 | Hinge flap |
| 9 | 01170009 | 1.5" conversion Connector |



EM0130-SC

| POS. | CODE | PRODUCT DESCRIPTION |
|------|----------|----------------------------|
| 1 | 01050158 | Skimmer Lid |
| 2 | 89150701 | Square Rim |
| 3 | 89150702 | Vacuum plate with Plug |
| 4 | 89150703 | Skimmer basket |
| 5 | 89150704 | Regulating plug |
| 6 | 01050167 | Skimmer body |
| 7 | 89150713 | Skimmer flap |
| 8 | 01181077 | Hinge flap |
| 9 | 01050168 | Adaptor frame |
| 10 | 03012105 | Screws |
| 11 | 02021105 | Skimmer gaskets for Liner. |
| 12 | 89150705 | Skimmer frame |
| 13 | 01170009 | 1.5" conversion Connector |



EM0130-SV